

## FLAIR - INSTALLATION

### OPTION- INSTALLATION

FLAIR Acoustic Wall System can be affixed to the wall, as follows:

1. Install the GI/ Aluminium framework on the wall 600 mm center to center. (As Shown in Diagram 1)

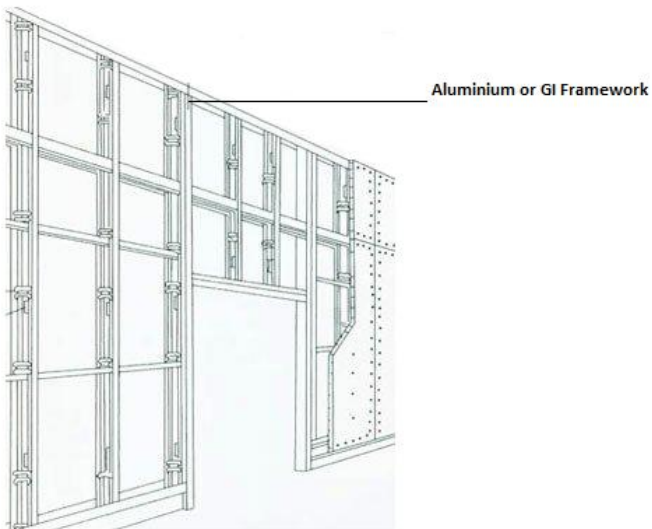


Diagram 1

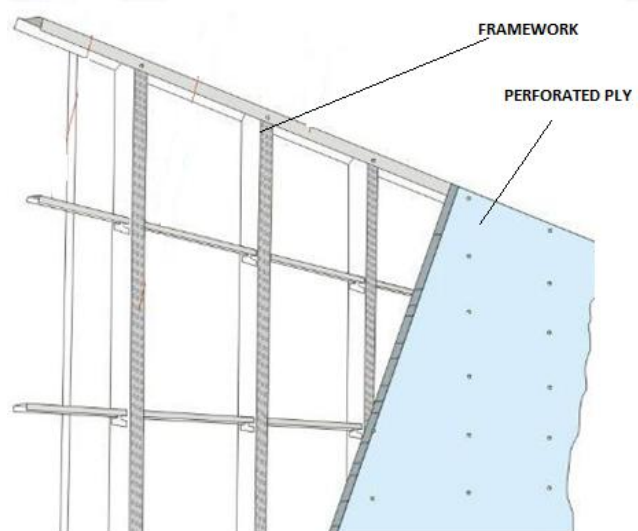


Diagram 2

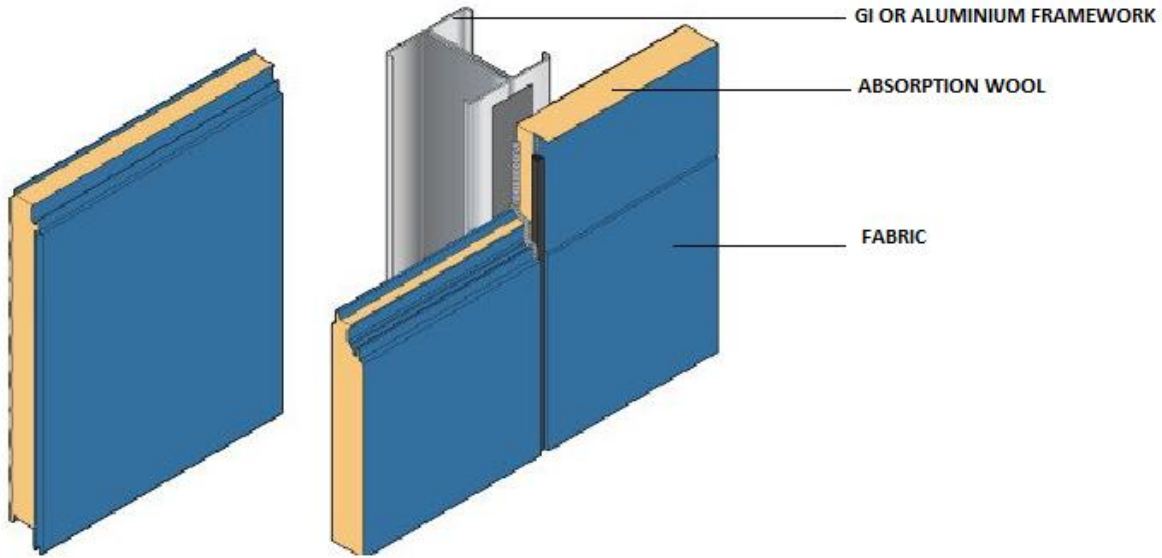


Diagram 3

2. Fix the perforated ply or wood wool panel on the GI/Aluminium framework.
3. Fill the cavity between the wall & ply/wood with the absorption wool. ( As Shown in Diagram 3)
4. Stretch the fabric with the help of UPVC grippers.