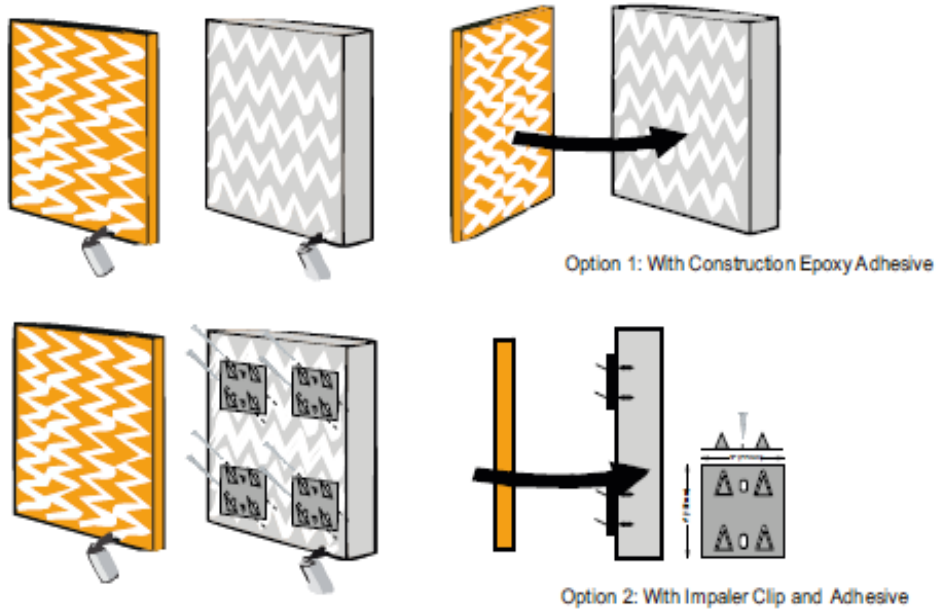


CREDA - INSTALLATION

CREDA ACOUSTIC WALL PANEL CAN BE EASILY INSTALLED OVER EXISTING WALL WITH SURFACE MOUNT IMPALERS OR DIRECTLY OVER WALL WITH AN ADHESIVE.



OPTION- 1 INSTALLATION WITH ADHESIVE

Creda Wall Panel can be affixed to the wall using good quality construction adhesive, as follows:

1. Clean the surface & remove surface imperfections/loose particles to enable greater bonding of the adhesive
2. Mark the location of each panel on the wall
3. Apply adhesive using spray gun or by brush smoothly on the back of the panel and on the wall
4. Carefully align the wall panels on the marked location on the wall and press the panel against the wall till it is fixed tightly.

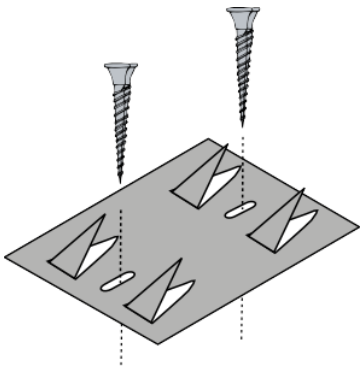
OPTION- 2 INSTALLATION WITH SURFACE IMPALER:

Creda Wall Panel can be affixed to the wall using surface Impalers, as follows:

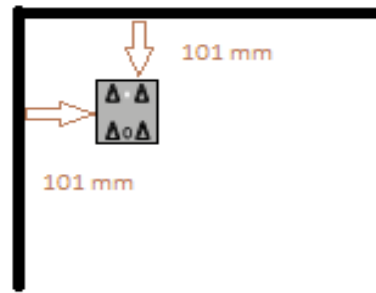


SURFACE IMPALER

Mark & Screw the surface impalers in distance of approximately 4 inches or 101 mm from the edge of the panel.

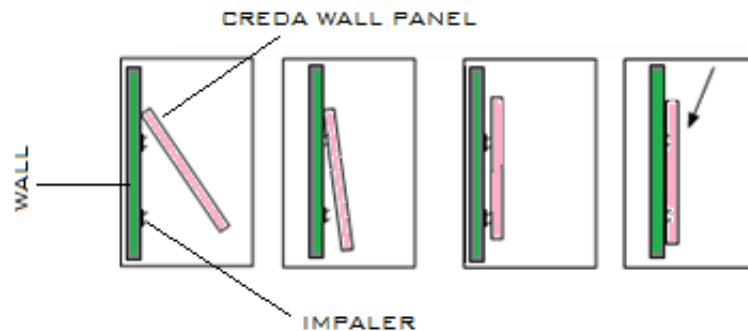


SCREW THE IMPALER



MARKING OF THE IMPALER

Apply adhesive by brush smoothly on the spikes of the Impalers, place & set the panel as per distance made from the edges of the panel, use inward & downward pressure on the panel so that spikes get inserted completely in the panel's back ensuring line & level of panel is maintained.



FIXING OF PANEL ON IMPALERS