



ALTO
LAY IN
METAL CEILING



BENEFITS

- Excellent Sound absorption (NRC 0.5 -0.7)
- Highly Aesthetic
- Humidity & fire resistant
- Stable & easy installation

AREA OF APPLICATION

- Office Area, Shopping Mall, Multiplex
- Airport, Exhibition Centers , Hotels
- Special Care centers, Hospitals
- Educational hubs, Residential

TECHNICAL DATA



ACOUSTIC
PERFORMANCE



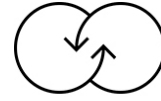
EASY TO CLEAN



HUMIDITY RESISTANCE



COLOUR OPTION



RECYCLABLE



FIRE RETARDANT

| | |
|---------------------|--|
| Finish | Powder coated / Pre Coated |
| Size | 595x595 mm, 595x1195 mm |
| Thickness | 0.5 in Galvanized Iron, 0.7 in Aluminium, 0.5 in SS |
| Colour | Global White / *As per RAL Standards |
| NRC | 0.5 – 0.7 * |
| Perforation | 1.8 mm, 2.5 mm (* Custom perforation available) |
| Edges | Micro look, Tegular |
| Light Reflectance | >0.85% |
| Humidity Resistance | RH 99% |
| Hygiene | Anti Bacterial/Anti fungal/antimicrobial coating available |

*MINIMUM 1.8 MM DIA PERFORATED LAY IN METAL TILE WITH ACOUSTIC FLEECE HAS NRC 0.5, TO ENHANCE THE ACOUSTIC & NRC: SUGGESTIVE METHOD TO HAVE A LAYER OF APPORTION WOOL ON TILE OR CONTACT TO CREDENCE ACOUSTIC EXPERTS

COLOUR OPTIONS

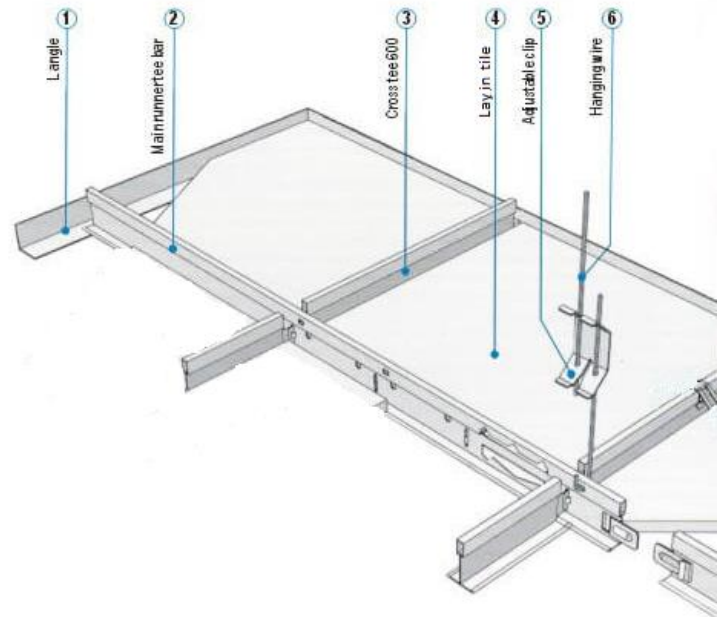
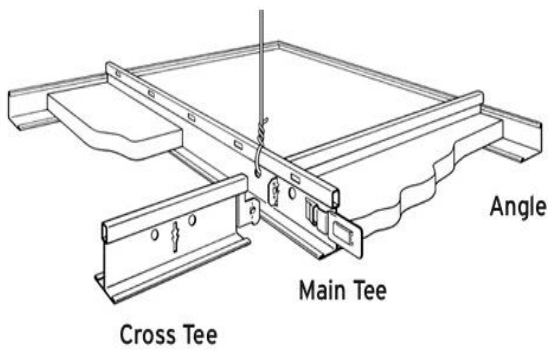
WHITE/ * AS PER RAL STANDARD

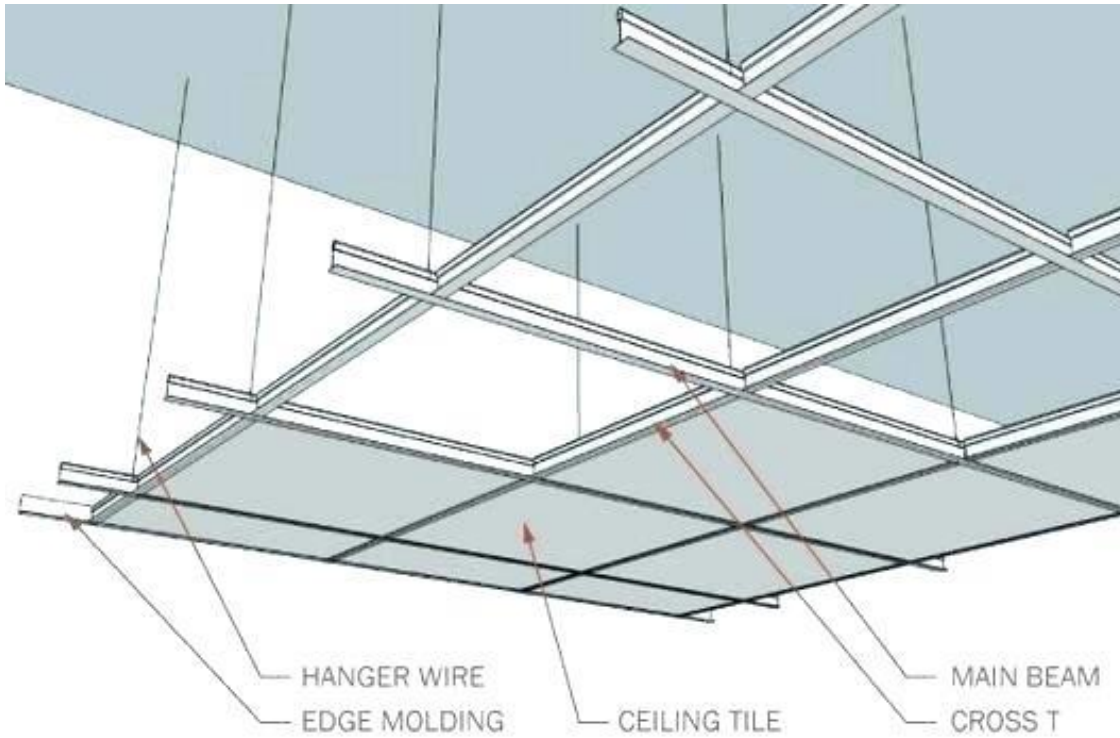


*FOR RAL SHADES MOQ IS 500 SQM

INSTALLATION

ALTO CEILING TILE CAN BE EASILY INSTALLED ON METAL T-GRID





APPLICATION

*Suitable for each space
where you need a
special acoustic through
your ceiling*





MAINTENANCE

THE MAINTENANCE INSTRUCTION & RECOMMENDATIONS TO REMOVE DUST, PEN MARKS, STAINS ARE AS FOLLOWS –

- ✓ USE SMOOTH BRUSH OR VACUUM CLEANER FOR ANY TYPE OF DUST OR DIRT PARTICLES. ENSURE TO CLEAN IN ONE DIRECTION ONLY.
- ✓ USE FRESH GOOD QUALITY CLEANER FOR REMOVING PEN MARKS OR SMUDGES. ENSURE TO CLEAN IN ONE DIRECTION ONLY.
- ✓ USE VOLATILE SOLVENT BASED CLEANER FOR OIL BASED STAINS. ENSURE TO CLEAN IN ONE DIRECTION ONLY.

WARRANTY

✓ 5 YEARS WARRANTY FOR CREDESCENCE ALTO CEILING TILE

* PLEASE REFER TO WARRANTY DOSSIER FOR WARRANTY CLAUSES & TERMS

CONTACT US

Call us : +91-120-5105463
+91-99900 49959

Email: info@credenceindustries.com , sales@credenceindustries.com

